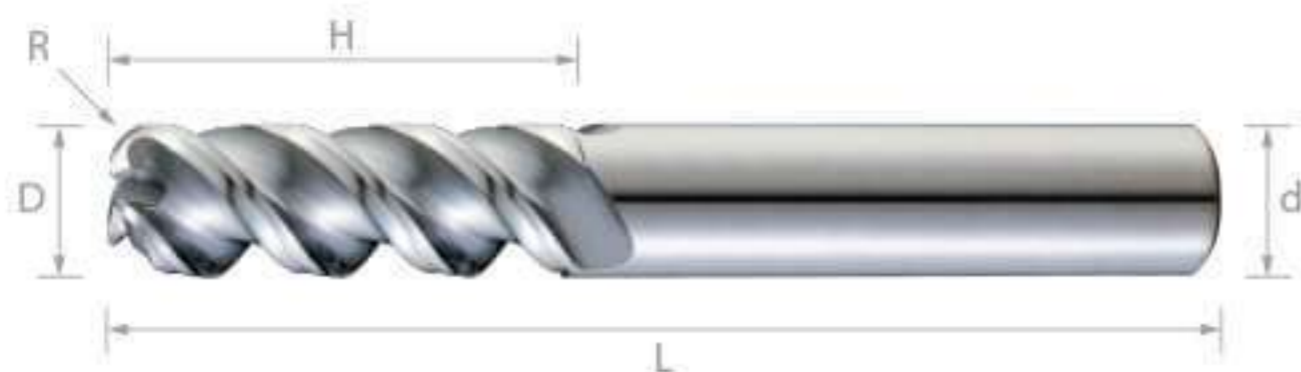


SEP 鎢鋼圓鼻鋁用銑刀 (標準型/圓溝型) 50°-3刃

SEP Carbide Corner Radius Aluminum End Mills (Standard / U-Flute Shape) 50° - 3 Flutes



編號 (Number)	外徑 (D)	刀長 (H)	R角 (R)	刀數 (T)	柄徑 (d)	全長 (L)	價格 (Price)
JCU0305R	3	9	0.5R	3	4	50	
JCU0310R	3	9	1.0R	3	4	50	
JCU0405R	4	12	0.5R	3	4	50	
JCU0410R	4	12	1.0R	3	4	50	
JCU0505R	5	15	0.5R	3	6	50	
JCU0510R	5	15	1.0R	3	6	50	
JCU0515R	5	15	1.5R	3	6	50	
JCU0605R	6	18	0.5R	3	6	50	
JCU0610R	6	18	1.0R	3	6	50	
JCU0620R	6	18	2.0R	3	6	50	
JCU0805R	8	24	0.5R	3	8	60	
JCU0810R	8	24	1.0R	3	8	60	
JCU0815R	8	24	1.5R	3	8	60	
JCU0820R	8	24	2.0R	3	8	60	
JCU0830R	8	24	3.0R	3	8	60	
JCU1005R	10	30	0.5R	3	10	75	
JCU1010R	10	30	1.0R	3	10	75	
JCU1015R	10	30	1.5R	3	10	75	
JCU1020R	10	30	2.0R	3	10	75	
JCU1030R	10	30	3.0R	3	10	75	
JCU1205R	12	36	0.5R	3	12	75	
JCU1210R	12	36	1.0R	3	12	75	
JCU1215R	12	36	1.5R	3	12	75	
JCU1220R	12	36	2.0R	3	12	75	
JCU1230R	12	36	3.0R	3	12	75	